

PENDLETONITE: A CORRECTION

JOSEPH MURDOCH AND THEODORE A. GEISSMAN, *University of California, Los Angeles, California.*

In our description of pendletonite (Murdoch and Geissman, 1967), the following errata, which were brought to our attention by Professor J. D. H. Donnay, should be noted.

In the Abstract

Line 4 up: *instead of* $2V_2 96^\circ$ to 115° , *read* $2V_2 65^\circ$ (red)– 84° (violet).

Line 4 up: *instead of* $Z \wedge c = 21^\circ$, *read* $Z \wedge c = +21^\circ$

Line 2 up: *instead of* $c = 10.42 \text{ \AA}$, *read* $c = 10.12 \text{ \AA}$

Line 1 up: *instead of* 9.44, 7.34, 3.46, *read* 9.50, 7.43, 3.49

Line 1 up: *instead of* $P2/c$, *read* $P2/a$

Under Crystallography

Figure 2 was erroneously drawn and indexed. A correct figure is substituted for it (see New Fig. 2).

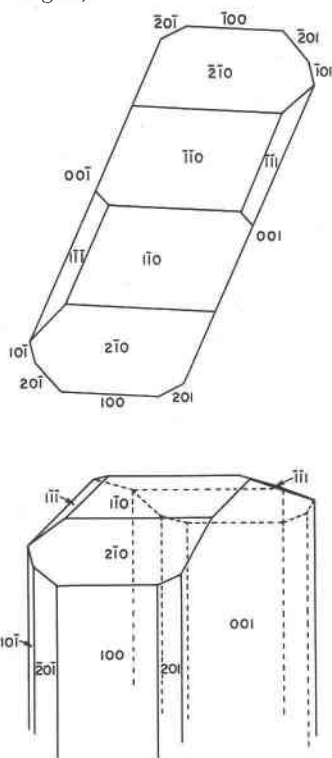


FIG. 2 (corrected). Left termination typical crystal.

Under Physical and Optical Properties

P. 614, line 9: *instead of* $2V_y = 96-115^\circ$, *read* $2V_\gamma = 65^\circ$ (red)- 84° (violet)

P. 614, lines 9-10: *after* $Z \wedge c = 21^\circ$, *add* in the obtuse β angle

Under X-Ray Study

P. 615, lines 3-4 of text: *instead of* C_2h^A , $P2/c$ *read* $C_{2h}^A - P2/a$

Under References

P. 616, line 3 up: *instead of* *crystallographique*, *read* *cristallographique*.

P. 616, line 2 up: *instead of* *Soc. Chem. Belgique*, *read* *Soc. chim. belges*.

REFERENCE

MURDOCH, J. AND GEISSMAN, T. A. (1967) *Amer. Mineral.*, **52**, 611-616.

THE AMERICAN MINERALOGIST, VOL. 53, MAY-JUNE, 1968

THERMAL BEHAVIOR OF $\text{SiO}_2\text{-X}$ AND ITS RELATION TO THE
NATURAL SILICA MINERALS: A CORRECTION

ROBERT GREENWOOD, *Department of Geological Sciences,*
University of Maine, Orono, Maine.

The author (Greenwood, 1967) mistakenly attributed ideas about the ordering of SiO_2 sheets to W. Eitel. As Eitel himself recognizes in the article cited, these ideas originated with O. W. Florke (1955).

Regarding the "disordered" phase of $\text{SiO}_2\text{-X}$ (Greenwood, 1967, p. 1665), I would concur with Prof. Florke, who suggests (private communication) that this apparent disorder may be an effect of extremely small crystallite size.

REFERENCES

- FLORKE, O. W. (1965) *Ber. Deutsch. Keram. Ges.* **32**, 369-381.
GREENWOOD, R. W. (1967) *Amer. Mineral.* **52**, 1662-1668.